

REED

R6018 Dual Moisture Meter



Safety

The electrode measurement pins on this instrument are sharp. It is strongly recommended to cover the pins with the included protective cap when not in use.

Features

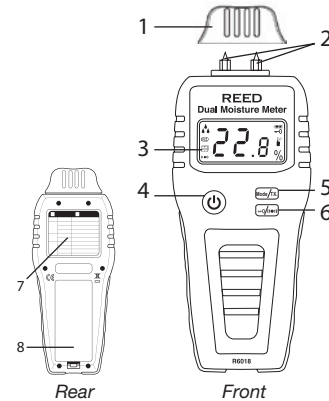
- Pin and Pinless functions detect moisture in wood and building materials
- Audible alert and Data Hold functions
- Built-in measurement verification and battery check
- Includes pins, protective cap and battery

Applications

- Construction and Building Projects
- Remediation and Restoration
- Woodworking

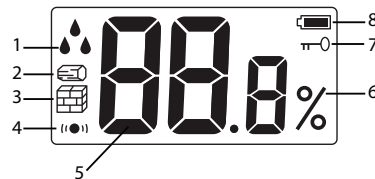
Instrument Description

1. Self test (Pin Mode) /Protective cover
2. Testing pins
3. LCD Display
4. Power button
5. Mode (Pin/Pinless) and Material selection button
6. Display Hold/Beeper, On/Off button
7. Pinless sensor (Internal)
8. Battery compartment



Display Description

1. Moisture Content Icons (1 to 3 drops indicate low, medium or high levels of moisture content)
2. Wood mode
3. Building Materials mode
4. Beeper mode
5. Moisture measurement
6. Display Hold mode
7. Battery status indicator
8. Battery status indicator



Specifications

Measuring Range(s)	Pin Mode: 5-50% (wood); 1.5-33% (building materials)
Pinless Mode:	0-99.9% (wood and building materials)
Depth Detection	Pin mode: 0.3" (8mm) Pinless mode: Up to 1" (25mm)
Accuracy	Pin Mode: +/- (3% + 5 dgt.)
Resolution	0.1%
Sensor Type	Dual Function (Contact Pin/Pinless)
Display	LCD Display
Data Hold	Yes
Audible Alert Indicator	Audible tone (increased intensity as moisture level rises)
Replaceable Pins	Yes
Auto Shut-off	Yes (after 2 mins)
Low Battery Indicator	Yes
Power Supply	1x 9V Battery
Product Certifications	CE
Operating Temperature	41 to 113°F (5 to 45°C)
Storage Temperature	32 to 122°F (0 to 50°C)
Operating Humidity Range	0-80%
Dimensions	6.7 x 2.6 x 1.2" (170 x 65 x 30mm)
Weight	4.2 oz (120g)

Operating Instructions

1. To use the pin mode, carefully remove the protective cap to expose the contact pins.
2. Turn the instrument ON by pressing the Power button. If the instrument does not power on, verify if battery reads to be replaced.
3. Press the Mode button to cycle through the four material testing modes;
 - Wood - Pin mode
 - Building Materials - Pin mode
 - Wood Pinless mode (icon blinking)
 - Building Materials - Pinless mode (icon blinking)
4. Once the desired mode has been selected follow the next steps;
 - Pin Mode** - Push the electrode pins into the material under test.
 - Pinless Mode** - When powered ON, first hold the instrument in open air and ensure the Pinless sensor is clear of objects. Next, select the desired pinless material mode. Once this is selected the meter will automatically zero-calibrate and the instrument is ready to take a pinless (non-invasive) measurement of the surface under test.
5. Press and hold the power button to switch off the instrument.

Moisture Content Table (also located on the back of the meter)

	PIN MODE		PINLESS MODE	
	WOOD (%)	BUILDING MATERIALS (%)	WOOD (%)	BUILDING MATERIALS (%)
Total Range >	5.0 ~ 50.0	1.5 ~ 33.0	0.0 ~ 99.9	0.0 ~ 99.9
LOW	5.0 ~ 11.9	1.5 ~ 16.9	0.0 ~ 16.9	0.0 ~ 16.9
MEDIUM	12.0 ~ 15.9	17.0 ~ 17.9	17.0 ~ 29.9	17.0 ~ 29.9
HIGH	16.0 ~ 50.0	20.0 ~ 33.0	30.0 ~ 99.9	30.0 ~ 99.9

Display Hold

Press the Display Hold button when the instrument is powered on to freeze the displayed reading. Press the button again to resume normal operation.

Auto Power-Off

As a default the instrument will automatically turn off after 2 minutes of inactivity.

Turning Beeper ON/OFF

The instrument beeper is set to ON by default. To switch the beeper OFF, press and hold the Display Hold/ On/Off Beeper button until the icon disappears. Press the button again to reactivate the beeper.

Pin Mode Self-Test

Turn the instrument on and set the Mode to the desired Pin mode (Wood or Building Materials). Remove the protective cap and put the testing pins through the the holes at the top of the Protective cap. If the meter is functioning properly you should see the following measurement displayed on the LCD screen;

Wood Mode: 17.0 to 19.0%
Building Materials Mode: 15.5 to 17.5%

In the case that the instrument measures outside of these ranges try replacing the battery. If the instrument continues to read outside the set self-test range the instrument should be returned for service.

Battery Replacement

1. When the LCD display battery icon appears empty or is flashing, replace the battery.
2. Open the Battery Cover on the back of the meter & remove the battery.
3. Replace the 9V battery, check that the polarization is correct, and reinstall the cover.

Permanent Damage to the circuit can result from incorrect installation.

For service on this or any other REED product or information on other REED products, contact REED Instruments at info@reedinstruments.com.